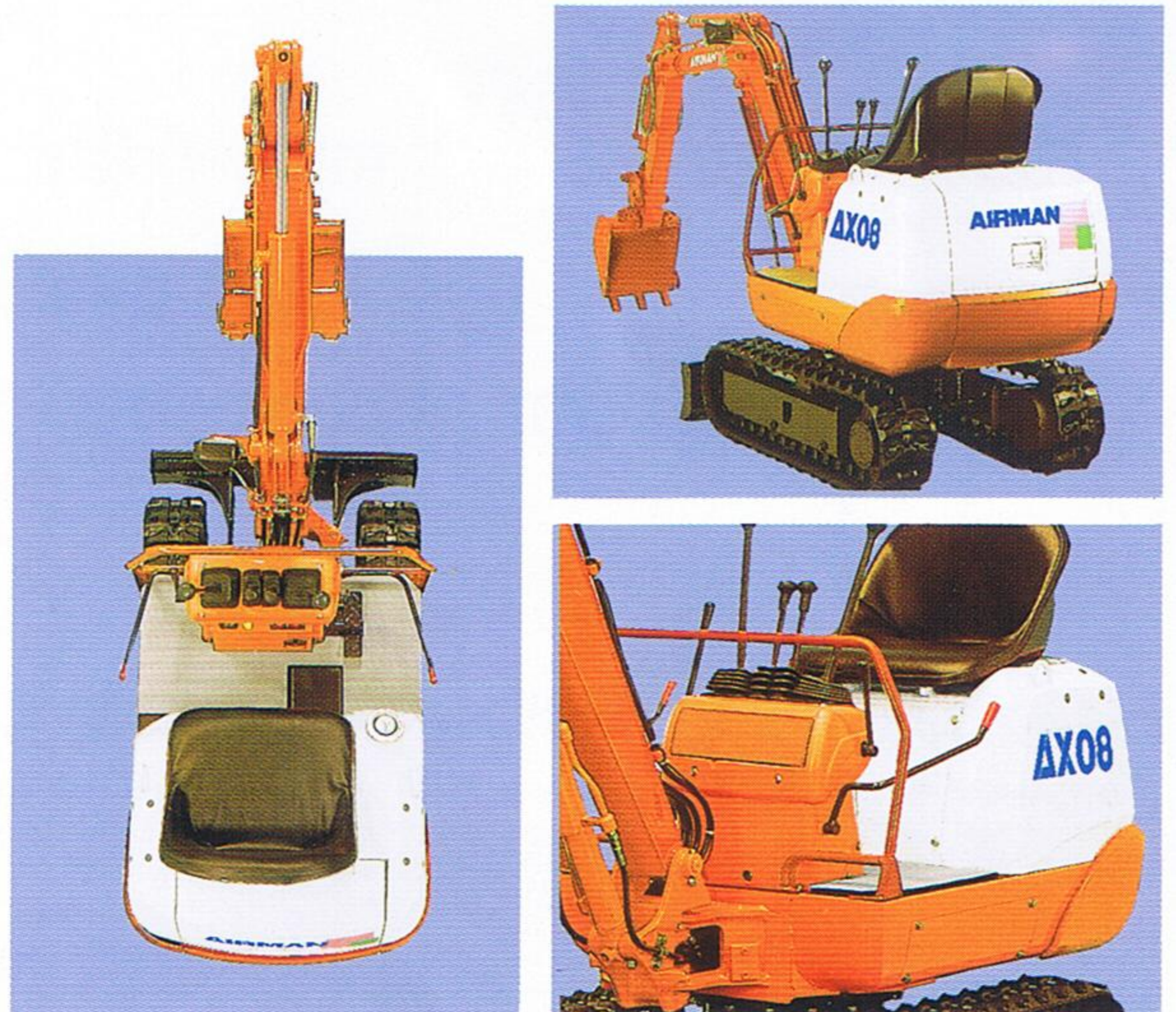




# NEW MODEL Mini- EXCAVATOR AX08

- Contemporary streamlined body.
- AHCS (Airman's Hydraulic Circuit System) enables combined operations while the excavator is being driven.  
(Various operation including swing and front controls can be performed while the excavator is being driven. AHCS also prevents the excavator from snaking)
- Large-sized counterweight protects vital engine and hydraulic systems.
- Maximum excavation depth of 1525 mm is the best in its class.
- Convenient one-key system for ignition, hood, and fuel tank.
- Hydraulic hose is stored inside for safety.

BUCKET CAPACITY : 0.02 M<sup>3</sup>  
 RATED ENGINE OUTPUT : 8/2300 PS/RPM  
 OPERATING WEIGHT : CANOPY 760 Kg



The unit pictured may be equipped with optional accessories  
**HOKUETSU INDUSTRIES CO.,LTD.**

# AIRMAN Mini-EXCAVATOR

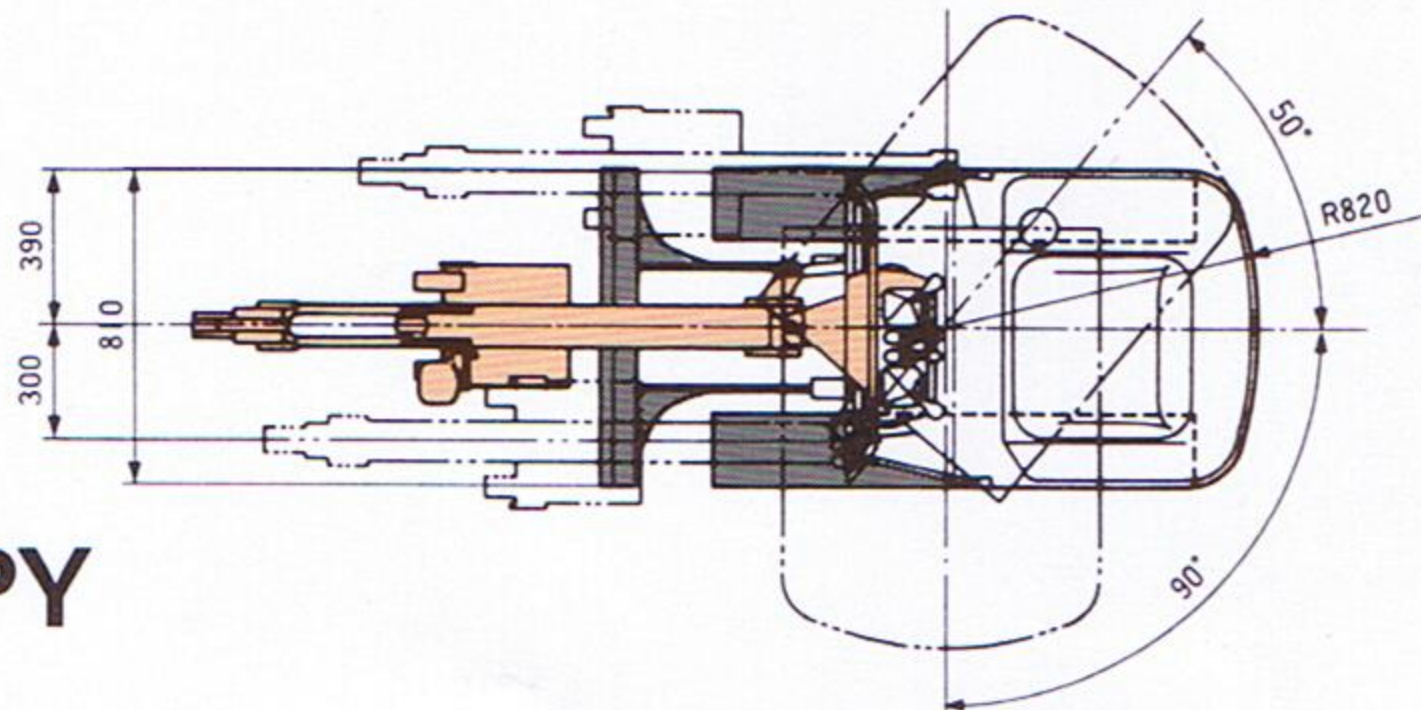
## NEW MODEL AX08

With AHCS (Airman's Hydraulic Circuit System)

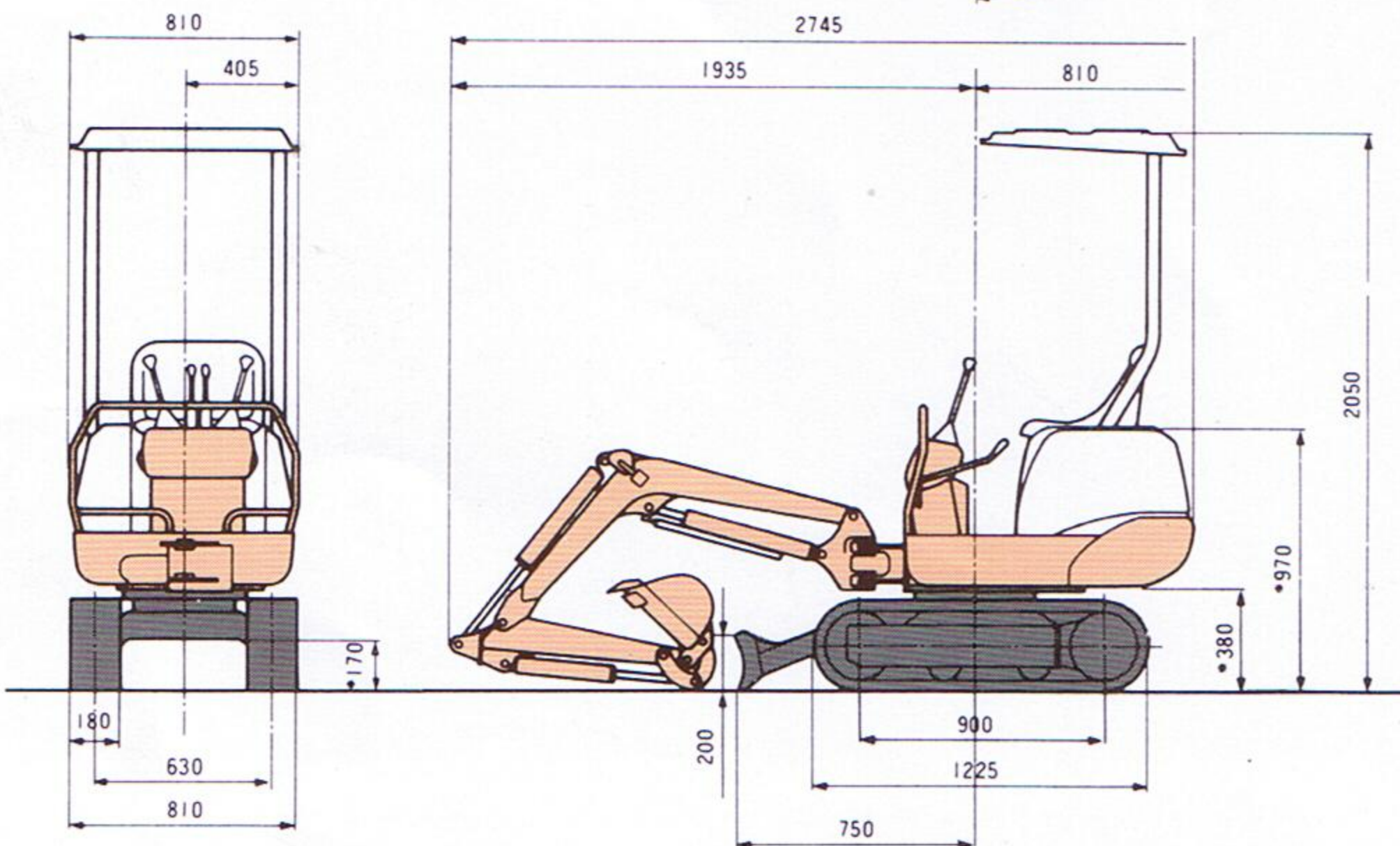
### SPECIFICATIONS

Model AX08		CANOPY
Bucket Capacity(m <sup>3</sup> )		0.02
Bucket Width (mm)		340
Operating Weight (kg)		760
ENGINE	Model	KUBOTA Z482
	Piston Displacement (cc)	479
	Rated Output (ps/rpm)	8/2300
	Fuel Tank (ℓ)	9
PUMP	Hydraulic Pump Oil Flow (ℓ/min)	9.2×2
	Main Relief Set Pressure (kgf/cm <sup>2</sup> )	160
Operating Lever System		Mechanical
WORKING RANGE	Max. Digging Radius (mm)	2800(2985)
	Max. Digging Depth (mm)	1525(1725)
	Max. Vertical Digging Depth (mm)	1125(1310)
	Max. Digging Height (mm)	2800(2935)
	Max. Dumping Height (mm)	2035(2170)
	Max. Digging Force/Bucket (kgf)	820
	Max. Digging Force/Arm (kgf)	520
	Boom Swing Angle (Left/Right)	90/50
PERFORMANCE	Swing Speed (rpm)	8.8
	Travel Speed (km/h)	2.2
	Gradeability (Degree)	30
DIMENSIONS	Overall Length (mm)	2745
	Overall Width (mm)	810
	Overall Height (mm)	2050
	Track Gauge (mm)	630
	Distance Between Tumblers (mm)	900
	Rubber Shoe Width (mm)	180
	Ground Pressure (kgf/cm <sup>2</sup> )	0.21
	Min. Swing Radius/At Boom Swing (mm)	1025/765 (1185/915)
	Rear Swing Radius (mm)	820
	Ground Clearance (mm)	170
Dozer Blade (Width×Height) (mm)	810×200	

### WORKING RANGE



### CANOPY



### OPTION

Narrow Bucket 250 mm width  
300 mm width

Long arm +200 mm

Extra Pipings (for attachments)

- The figures in parentheses indicate those of the machine with long arm.
- The external view and specifications are subject to change for improvements without notice.

## HOKUETSU INDUSTRIES CO.,LTD.

DISTRIBUTOR

8-5, CHUOH 5-CHOME, NAKANO-KU  
TOKYO 164 JAPAN

CABLE ADDRESS:  
"HOKUETSU AIRMAN TOKYO"  
TELEX NO.232-4042 AIRMAN J

TEL:TOKYO 03(5385)8241 FAX:TOKYO 03(5385)8377

## HOKUETSU INDUSTRIES EUROPE B.V.

Rivierstaete, Amsteldijk 166-1079 Amsterdam TEL : 020-6462636  
P.O. Box 7000-1007 MA Amsterdam, Netherlands. FAX: 020-6462191